

»multifix« series

Diaphragm pressure regulator, self-relieving, with pneumatic remote control.

The pressure is set with a pilot pressure regulator (1:1 ratio).

Either a standard or a precision pressure regulator can be used to regulate the pilot pressure.

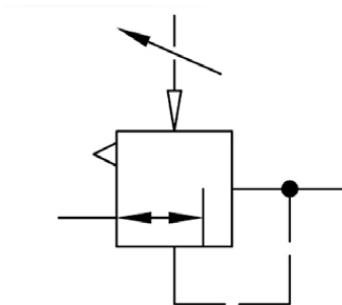
| | |
|------------------------|---|
| Input pressure: | Max. 16 bar |
| Output pressure: | Corresponds to the set pressure of the pilot pressure regulator |
| Medium temperature: | Max. 60 °C |
| Ambient temperature: | Max. 60 °C |
| Housing: | Die-cast zinc |
| Sealant: | NBR |
| Flow rate measurement: | At $P_1 = 10$ bar, $P_2 = 6.3$ bar and pressure drop $\Delta p = 1$ bar |

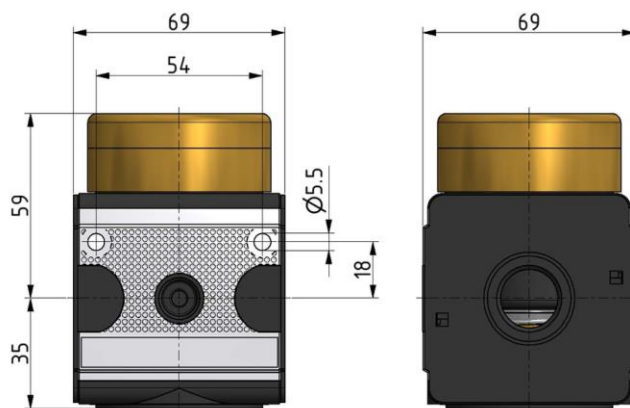
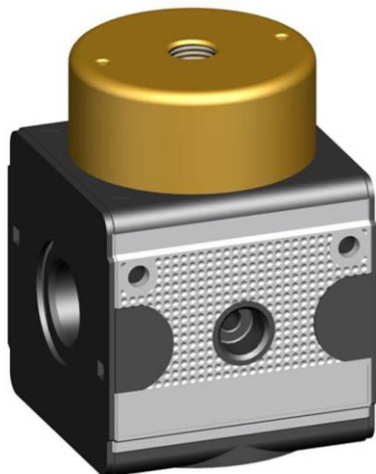
Pressure regulators with pneumatic remote control, without gauge

| Art. No. | Ident No. | Thread | Pilot air connection | Flow rate l/min |
|----------|-----------|--------|----------------------|-----------------|
| RI 33 | 100463 | G 1/2 | G 1/4 | 8500 |

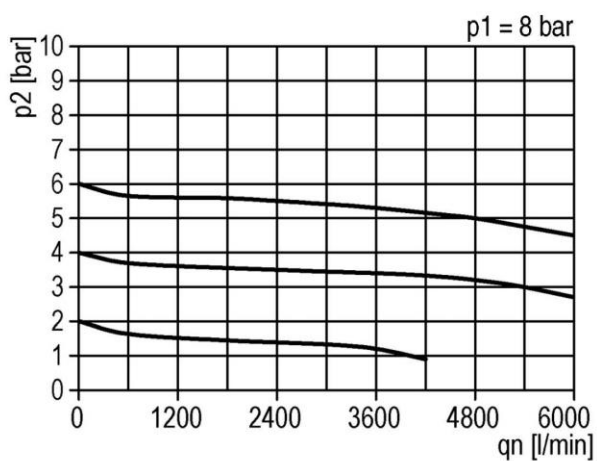
Accessories / spare parts for RI 33

| Art. No. | Ident No. | Description |
|------------|-----------|--|
| ZW 33 | 100441 | Mounting bracket with 2 screws |
| KP 33 | 100442 | Coupler pack for modular assembly of several devices |
| 22.18933.4 | 100466 | Set of wearing parts for RI 33 |





flow characteristic



pressure characteristic

